

We are driven to improve your water quality and ensure safe drinking water for our communities today as well as those emerging globally – let us show you a new world of possibilities...

Thermo Scientific Orion 2109XP

Fluoride Analyzer



Superior Performance and Ease of Operation

For many of us, water is simple to access at the turn of a faucet. We think little about the silent process that consistently delivers it without delay.

As the pioneer of fluoride electrode technology, the new Thermo Scientific Orion 2109XP fluoride analyzer is based on the Standard Test Method for Fluoride Ion in Water (ASTM D 1179-04). The Orion 2109XP provides the highest quality fluoride measurements for drinking water required by the Safe Drinking Water Act (1974) to accurately control fluoride levels between 1.4 and 2.4 ppm.

The Orion 2109XP fluoride analyzer offers accuracy, reliability and ease-of-use to best meet the demands for fluoride analysis with complete assurance. The Orion 2109XP maximizes uptime and keeps

your plant in perfect operation by offering unmatched versatility and performance

Advantages

- Recognized EPA method for fluoride analysis using an ion selective electrode (ISE)
- Eliminates problems with turbidity and suspended solids in samples, provides true accuracy in measuring total fluoride concentrations
- Holds calibration for long cycles between reagent changes
- Correlates to online IC for QA/QC validation
- Long life sensor technology offers stability and high performance

Markets

- Bottled Water
- Municipal Water
- Food and Beverage
- Semiconductor

Applications

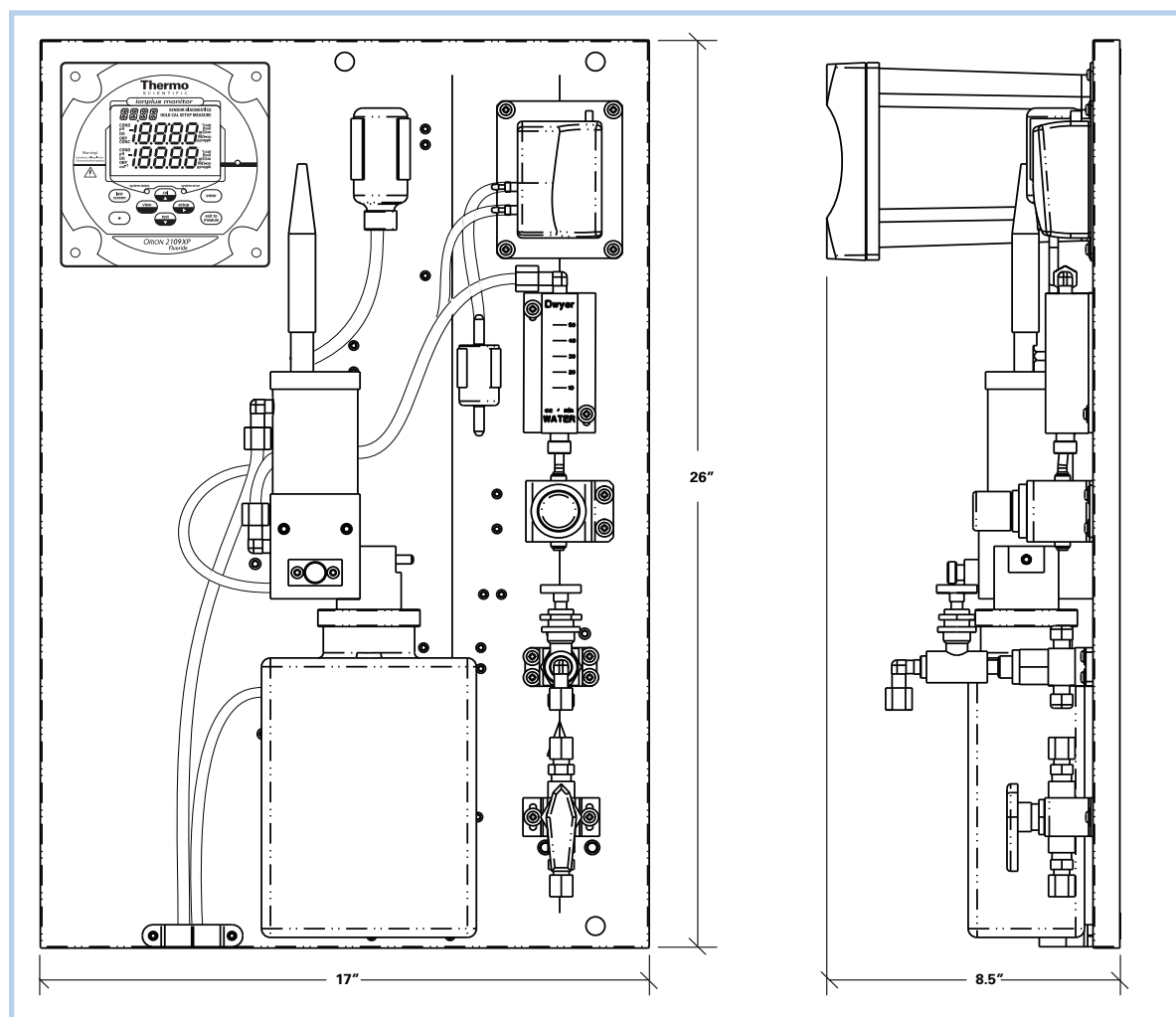
- Fluorination Control
- Fluoride Level Analyzing

Benefits

- Detection limit of 10 ppb – the Orion 2109XP offers continuous fluoride analyzing in a wide variety of samples
- Protect against over-fluoridation of samples with sensitive, selective, reliable and verifiable measurements that provide early detection of fluoride
- Extremely easy to use while maximizing uptime – simple step-by-step scrolling instruction for setup, calibration, operation and diagnostics menus
- Measurements at a glance from any distance for even the lowest light conditions using the large operator friendly backlit display
- Fastest and most stable measurements, limiting unnecessary calibration cycles due to drift with superior Orion fluoride electrode technology
- Minimize operator time and maintenance without use of complicated moving parts or pumps that often require frequent attention and expensive spare part expenditures
- Advanced user interface with detailed calibration, measurement and diagnostic logs for early diagnostic and action level notification, configurable to your facility's desired level of performance, and all password protected if preferred
- Simple and fast calibration cycles using double known addition – quickly have your system back on line with security and confidence
- Easy installation has your plant up and running in minutes – the Orion 2109XP is retrofittable to the Thermo Scientific Orion 1809AO panel mounting footprint
- Expandable platform with grab sampler, automation and automatic validation modules
- Reagent adjusts pH for proper sample conditioning to ensure accurate and reliable measurements consistently.

Dimensions

Thermo Scientific Orion 2109XP installation dimensions shown without optional protective enclosure.





Thermo Scientific Orion 2109XP Fluoride Analyzer

Specific Ion Measurements	Range: 10 ppb to 200 ppm
	Resolution: 1, 2 or 3 digits
	Accuracy (with DKA cal): ± 10% or 10 ppb, whichever is greater
	Reagent: Formic acid
Response Time	Reach 95% of final reading within 2 minutes of injecting a standard solution
Units Displayed	ppb, ppm (auto ranging)
mV Measurement	Range: ± 1999.9 mV
	Resolution: 0.1 mV
	Relative accuracy: ± (0.5 mV + 0.1%)
Temperature Measurement	Range: - 10 to 120 °C
	Resolution: 0.1 °C
	Relative accuracy: ± 0.5 °C
	Continuous temperature readings: YES
	ATC probe connection detection: YES
Specific Ion Calibrations	DKA calibration: YES
	DKA calibration points: 3 points
	Offline calibration: YES
	Offline calibration points: 1 point
	Pre-programmed standard values: YES
	Custom programmed standard values: YES
Sample Conditions	Temperature: 5 to 35 °C
	Total alkalinity: Less than 200 ppm CaCO ₃
	Inlet pressure: 8 to 100 psig
	Flow rate: 40 mL/min nominal set by pressure regulator
	Sample inlet: 1/4" NPTF tube fitting
	Sample drain: 3/4" NPT male
	Grab sampler supported: YES
Display	Custom backlit LCD with temperature, concentration, mV, error codes and menu driven prompts
Inputs	ATC: 2 x NTC 30K
	Specific ion input & reference: Potentiometric

Outputs	Analog output: Galvanically isolated	
	Number of analog outputs: 2, one dedicated to fluoride, one to temperature; shared ground	
	Output selections: 0 to 20 mA or 4 to 20 mA	
	Programmable range: YES	
	Log & linear output options: YES, user selectable	
	Alarm outputs: 3	
	Number of relay outputs: 3	
	Maximum relay load: 250 VAC, 5 A, 30 VDC	
	Minimum value alarm: YES	
	Maximum value alarm: YES	
Physical Size	Electronics: 144 x 144 x 187 mm	
	Entire system: 65 x 45 x 27 cm (26" x 17" x 11") Fits on 1809AO panel mounting footprint.	
	Power	
	Input: 85-132 or 170-264 VAC	
	Software Features	Self-test & diagnostics: YES
		Real time clock: YES
		Meter serial number: YES
		Password protection: YES
		Programmable alarms: High, low, error, calibration/offline
		Reset function: YES
Meter Features		Startup reset: YES
		Hardware calibration function: YES
		Non-volatile memory: YES
		Battery backup: YES
	Expansion bus: Serial communication & power	
Electronics	Waterproof enclosure: IP66 & NEMA 4X	
Regulatory and Safety	CE, CSA, FCC Class A limits	
Environmental Operating Conditions	Ambient operating temperature: 5 to 45 °C	
	Relative humidity: 5 to 95% non-condensing	
	Storage temperature: - 20 to 60 °C	
	Storage humidity: 5 % to 95 %, non-condensing	
Case Material	Valox 364	
Shock and Vibration	Vibration, shipping/handling: 0 - 60 Hz @ 1 G Load	
	Shock, drop test in packaging: 36" on all sides and corners	

Thermo Scientific Orion 2109XP Fluoride Analyzer

- Global support** – with experience that comes from supporting our fluoride customers for over 35 years throughout the world, our water quality specialists and customer support teams offer a quick, thorough and professional response to any problem encountered.
- Focus on user benefits** – we work closely with you to define your needs, and ensure you are using the analyzer in a way that improves your bottom line.

For more information, contact your local water quality specialists, call 1-800-225-1480 or visit www.thermo.com/water.

Cat. No.	Fluoride Analyzer Packages
2109XPEN	Fluoride Analyzer with Protective Enclosure Package – includes fluoride analyzer with protective enclosure, fluoride electrode (100029), reference electrode (100056), ATC probe (2100TP), standard solution kit (180940), CD user guide and options kit.
2109XP	Fluoride Analyzer Instrument Only Package – includes fluoride analyzer with fluoride electrode (100029), reference electrode (100056), ATC probe (2100TP), standard solution kit (180940), CD user guide and options kit.
Cat. No.	Reagent Kits and Accessories
210960XP	Fluoride Consumables Kit – for one year operation, includes (6) x 1 L bottles formic acid reagent and (6) x 2 ft diffusion tubing with O-rings (182011), fluoride standard solution kit (180940), fluoride electrode (100029), reference electrode (100056), (1) x 2 oz bottle reference electrode filling solution (181073), O-ring kit (2100OK), check valve (2100VC), pipette tips (204846-001), restriction tube assembly (2100RT) and inlet filter with gaskets (181170)
210960XPF*	Reagent-less Fluoride Consumables Kit – for one year operation, includes (6) x 1 L empty bottles for use with formic acid reagent (182011), (6) x 2 ft diffusion tubing with O-rings (181060), fluoride standard solution kit (180940), fluoride electrode (100029), reference electrode (100056), (1) x 2 oz bottle reference electrode filling solution (181073), O-ring kit (2100OK), check valve (2100VC), pipette tips (204846-001), restriction tube assembly (2100RT) and inlet filter with gaskets (181170)
182011	Formic Acid Reagent – 60 day supply, includes (1) x 1 L bottle formic acid reagent and (1) x 2 ft long diffusion tubing with O-rings (181060)
182011F*	Reagent-less Formic Acid Reagent Bottle – includes (1) x 1 L empty bottle for use with formic acid reagent (182011) and (1) x 2 ft diffusion tubing with O-rings (181060)
182011F6*	Reagent-less Formic Acid Reagent Bottle – includes (6) x 1 L empty bottles for use with formic acid reagent (182011) and (6) x 2 ft diffusion tubing with O-rings (181060)
181060	(1) x 2 ft diffusion tubing and O-rings
181160	(3) x 5'8" thin-walled diffusion tubing and O-rings, for high alkalinity samples, 6 month supply
Cat. No.	Fluoride Electrodes and Accessories
2109XPEK	Fluoride Electrode Kit – includes fluoride electrode (100029), reference electrode (100056) and (1) x 2 oz bottle reference electrode filling solution (181073)
100029	Fluoride Sensing Electrode – for use with 2109XP
100056	Fluoride Reference Electrode – for use with 2109XP, includes (1) x 2 oz bottle reference electrode filling solution
181073	Reference Electrode Filling Solution – (5) x 2 oz bottles, for use with reference electrode (100056)
2100TP	2100 Series Automatic Temperature Probe – with ground (30 kΩ)

Cat. No.	Fluoride Electrodes and Accessories (cont'd)
2001XT	2100 Series Automatic Temperature Probe – with 10 meter extension cable and ground (30 kΩ)
2100EC	Electrode Cables – (2) x 1 meter cables, for 100029 and 100056 electrodes
21003M	Extension Cables – (2) x 3 meter cables, for 100029 and 100056 electrodes
2109XPCAL	Calibration Kit – includes carrying case, 0.5 mL pipette (204847-001), box of pipette tips (204846-001), wash bottle, (1) x 2 oz bottle fluoride standard 1 (100 ppm), (1) x 2 oz bottle fluoride standard 2 (1000 ppm) and (1) inlet filter
180940	Fluoride Standard Solution Kit – includes (2) x 2 oz bottles of fluoride standard 1 (100 ppm) and (2) x 2 oz bottles of fluoride standard 2 (1000 ppm)
940907	(1) x 1 pint bottle 100 ppm fluoride standard solution
110902	(1) x 1 pint bottle 1000 ppm fluoride standard solution
Cat. No.	Field Replaceable Units
2100EN	2100 series enclosure
2100FP	Fluidics panel assembly only
2100BP	Steel back panel assembly
2100NV	Inlet valve assembly
2100BV	Bypass/needle valve assembly
2100RG	Regulator assembly
2100DA	Drain and clamp assembly
2100FM	Flow meter assembly
2100RT	Restrictor tube assembly
2100FC	Flow cell assembly
2100PA	Air pump assembly
2100AF	Air filter assembly
2100DV	Diverter valve assembly
2100VC	Check valve
2109RBA	2109XP reagent bottle adapter
2100OK	O-ring kit
2100EC	(2) x 1 meter electrode cables
2100FK115	Fuse kit assembly 115 V
2100FK230	Fuse kit assembly 230 V
2100PS	Power supply assembly
2109XPEP	2109XP electronics faceplate
2109XPSK	Service Kit – includes (1) electronics faceplate (2109XPEP), (1) air pump assembly (2100PA), (1) regulator assembly (2100RG), (2) electrode cable with gland assemblies for sensing and reference electrodes, (1) power supply assembly (2100PS) and (1) fuse kit assembly (2100FK115 and 2100FK230)

* For International Use Only



S-2109XP-E 0609 Rev.C

Process Water Instruments

North America

166 Cummings Center
Beverly, MA 01915 USA
Toll Free: 1-800-225-1480
Tel: 1-978-232-6000
Dom. Fax: 1-978-232-6015
Int'l Fax: 978-232-6031

Europe

P.O. Box 254, 3860 AG Nijkerk
Wallerstraat 125K, 3862 CN
Nijkerk, Netherlands
Tel: (31) 033-2463887
Fax: (31) 033-2460832

Asia Pacific

Blk 55, Ayer Rajah Crescent
#04-16/24, Singapore 139949
Tel: 65-6778-6876
Fax: 65-6773-0836

www.thermo.com/processwater

Thermo
SCIENTIFIC